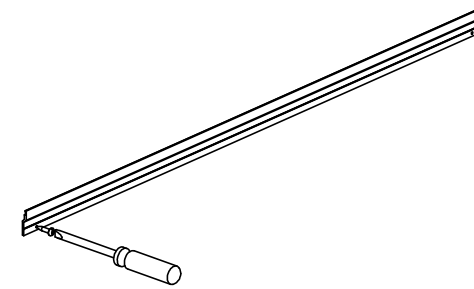
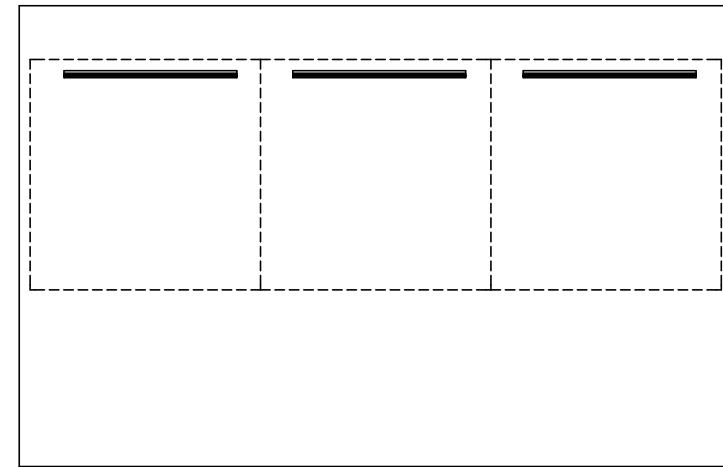
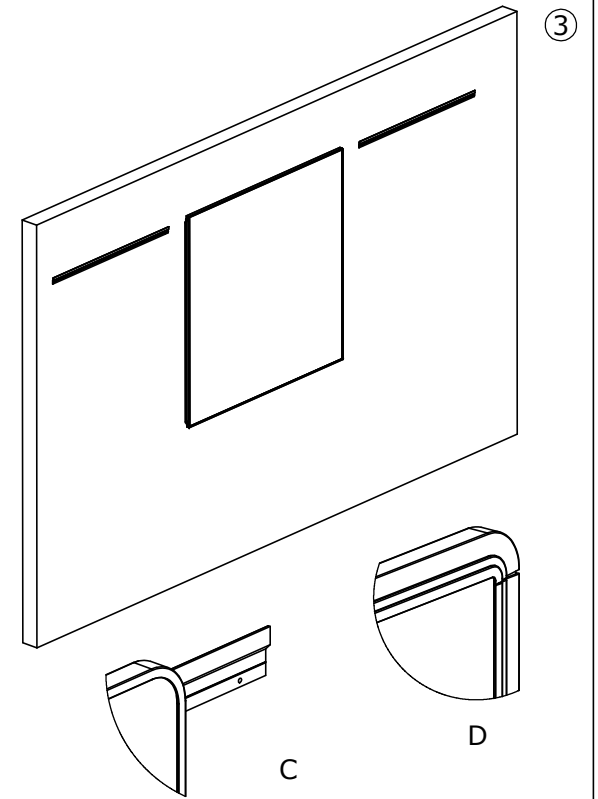


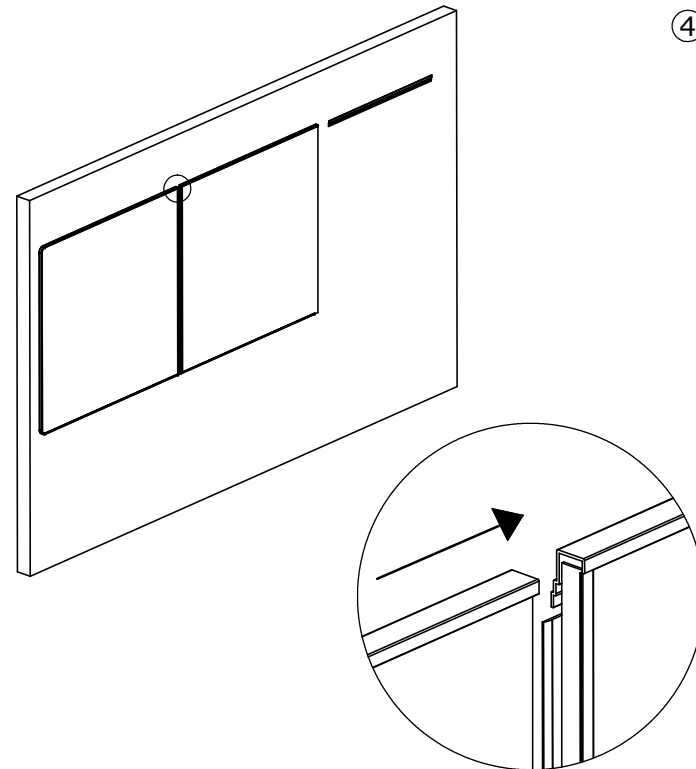
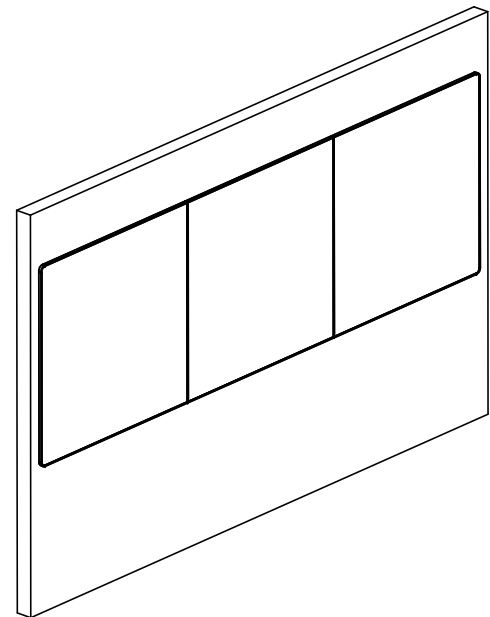
① Draw a level line the total length of the linked boards, 2 1/8" below of the desired finished height of the boards.



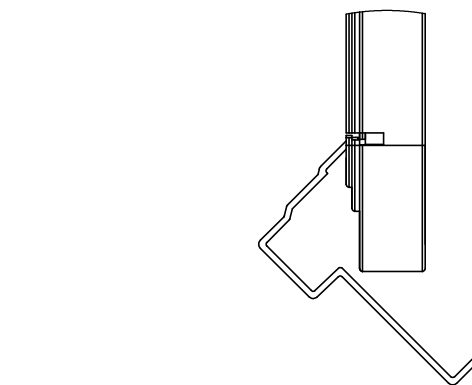
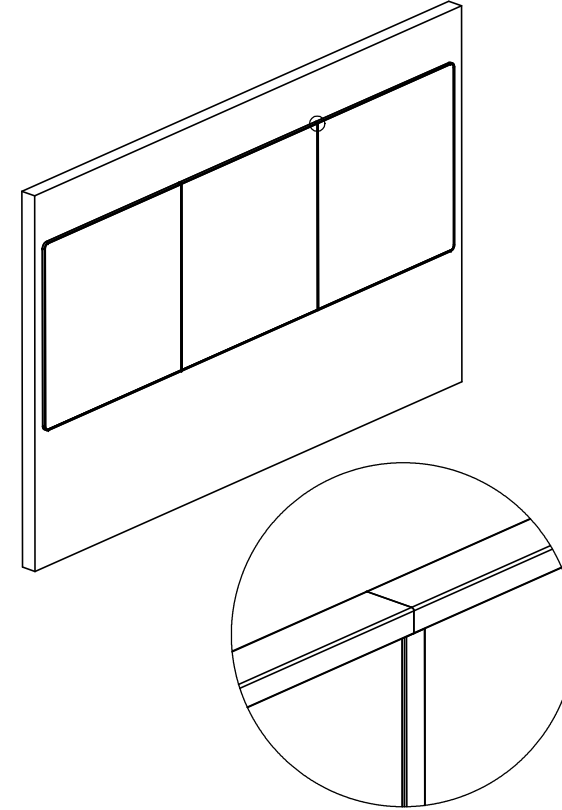
② Remove mounting brackets from the back of boards. Center and fasten brackets to wall using two suitable fasteners per bracket.



③ Hang middle EganBoard over the bracket, picture C with its corresponding angle, picture D. Double-sided tape on the back in bottom corners ensures complete stability.



④ Hang left side board onto bracket and slide into middle board. Repeat with right side board. Double-sided tape on the back in bottom corners ensures complete stability.



⑤ Hook the inside edge of the Pen Tray to the inside edge of the frame on the back of board, as shown in picture E. Rotate the Pen Tray forward so that it clips to the bottom of the frame. You will feel it snap into place.

Comments
or
Questions?

CALL US!

USA
&
CANADA : 1-800-263-2387